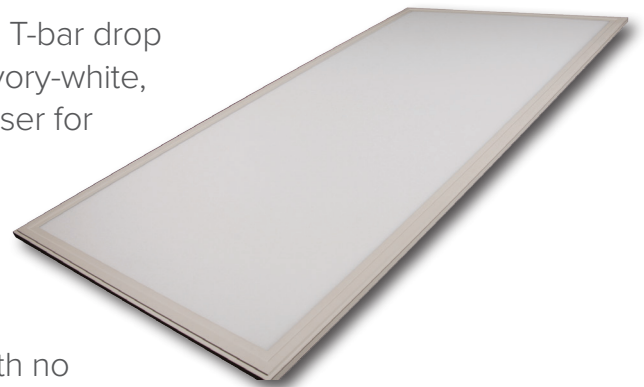




## The Energy-Efficient LED Solution

The RVLT LED Thin Panel can be installed in standard T-bar drop ceilings or hung with chain or cable and features an ivory-white, powder-coated aluminum frame with an edge-lit diffuser for smooth light distribution.

This unique thin panel replaces 2' x 2' or 2' x 4' fluorescent fixtures and can reduce lighting energy use by more than 50%. Our fully recyclable LED thin panel features 0-10V dimming and is mercury-free, with no noise, no flickering, and no UV.



### APPLICATIONS

- Office
- Municipal
- Commercial
- Retail
- Showrooms
- Schools & Universities
- Hotels
- Hospitals & Clinics
- Assisted Living Facilities

### DELIVERED LIGHT ANGLE



RVLT wide-beam light distribution

Can decrease energy usage by more than



vs. similar fluorescent fixtures

### WARRANTY

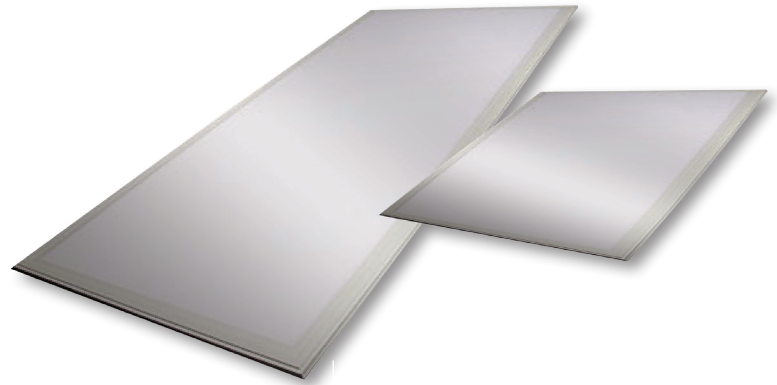
Revolution Lighting Technologies guarantees unsurpassed quality by offering an industry-leading 7-year limited warranty.

Contact RVLT for complete warranty language, exceptions, and limitations.



## PRODUCT HIGHLIGHTS

- Full light output at temps down to -4 °F (-20 °C)
- Unique edge-lit diffuser lens provides even illumination without glare
- Installs in standard T-bar drop ceilings or hung with chain or cable
- Quality light with no flicker or buzz
- No UV
- 100% recyclable
- Mercury-free, allowing for non-hazardous disposal and a safer environment
- Available in 2' x 2' or 2' x 4' configurations
- 0-10V dimming
- Uses less energy than typical fluorescent fixtures
- Long product life supported by industry-leading 7-year warranty



## ORDER LOGIC (Ex. TP-22-30-F-35-D)

Product Description	Dimensions	Wattage	Lens	CCT (K Temp)	Dimming Option
TP = Thin Panel	22 = 2'x2'	20 = 20W 30 = 30W 40 = 40W	F = Frosted	35 = 3500 40 = 4000 50 = 5000	D = Dimmable
TP = Thin Panel	24 = 2'x4'	40 = 40W 50 = 50W 75 = 75W	F = Frosted	35 = 3500 40 = 4000 50 = 5000	D = Dimmable

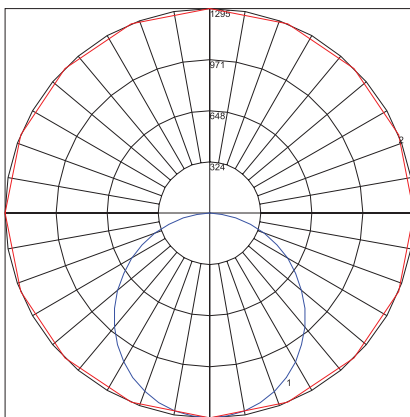
## TECHNICAL DATA (Subject to change. Configuration examples only. See order logic above for more options.)

Catalog No.	Product SKU No.	Wattage	Lens	Mounting	Input Voltage (VAC)	Color Temp (K)	Lumens	Efficacy (lm/W)	CRI	Illumination Angle	Rated Avg. Life (Hours)	Operating Temp. (°F)
<b>2' x 2' Dimmable Thin Panel</b>												
TP-22-30-F-35-D	150310-003	30W	Frosted	T-Bar/Chain	120-277	3500	2,706	85.9	80.9	160	50,000	-4 to 122
TP-22-30-F-40-D	150310-001	30W	Frosted	T-Bar/Chain	120-277	4000	2,706	85.9	80.9	160	50,000	-4 to 122
TP-22-30-F-50-D	150310-002	30W	Frosted	T-Bar/Chain	120-277	5000	2,706	85.9	80.9	160	50,000	-4 to 122
TP-22-40-F-35-D	150312-003	40W	Frosted	T-Bar/Chain	120-277	3500	3,296	83.2	80.7	160	50,000	-4 to 122
TP-22-40-F-40-D	150312-001	40W	Frosted	T-Bar/Chain	120-277	4000	3,296	83.2	80.7	160	50,000	-4 to 122
TP-22-40-F-50-D	150312-002	40W	Frosted	T-Bar/Chain	120-277	5000	3,464	91.9	80.7	160	50,000	-4 to 122
<b>2' x 4' Dimmable Thin Panel</b>												
TP-24-50-F-35-D	150320-003	50W	Frosted	T-Bar/Chain	120-277	3500	4,193	87.2	80	160	50,000	-4 to 122
TP-24-50-F-40-D	150320-001	50W	Frosted	T-Bar/Chain	120-277	4000	4,193	87.2	80	160	50,000	-4 to 122
TP-24-50-F-50-D	150320-002	50W	Frosted	T-Bar/Chain	120-277	5000	4,193	87.2	82.3	160	50,000	-4 to 122
TP-24-75-F-35-D	150321-003	75W	Frosted	T-Bar/Chain	120-277	3500	6,845	88.9	80.5	160	50,000	-4 to 122
TP-24-75-F-40-D	150321-001	75W	Frosted	T-Bar/Chain	120-277	4000	6,845	88.9	80.5	160	50,000	-4 to 122
TP-24-75-F-50-D	150321-002	75W	Frosted	T-Bar/Chain	120-277	5000	6,845	88.9	80.5	160	50,000	-4 to 122

 Product is DLC listed.

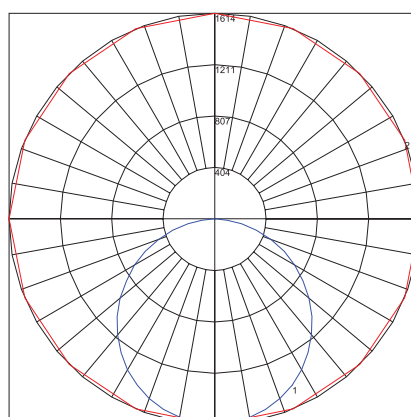
## PHOTOMETRIC DATA

2' x 2' LED Thin Panel / 150312-001



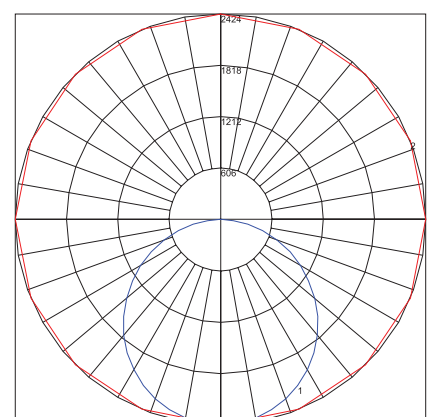
Maximum Candela = 1295. Located At Horizontal Angle = 0, Vertical Angle = 0  
 # 1 - Vertical Plane Through Horizontal Angles (0 - 180) (Through Max. Cd.)  
 # 2 - Horizontal Cone Through Vertical Angle (0) (Through Max. Cd.)

2' x 4' LED Thin Panel / 150320-002



Maximum Candela = 1614. Located At Horizontal Angle = 0, Vertical Angle = 0  
 # 1 - Vertical Plane Through Horizontal Angles (0 - 180) (Through Max. Cd.)  
 # 2 - Horizontal Cone Through Vertical Angle (0) (Through Max. Cd.)

2' x 4' LED Thin Panel / 150321-001



Maximum Candela = 2424. Located At Horizontal Angle = 0, Vertical Angle = 0  
 # 1 - Vertical Plane Through Horizontal Angles (0 - 180) (Through Max. Cd.)  
 # 2 - Horizontal Cone Through Vertical Angle (0) (Through Max. Cd.)

## DRIVER DIMMING DATA (Subject to change)

0-10V Dimming											
Dimming Voltage	0V	1V	2V	3V	4V	5V	6V	7V	8V	9V	10V
Percent of Rated Current	Off/10%*	10%	20%	30%	40%	50%	60%	70%	80%	90%	100%

\*On/Off condition and 10% dimming level influenced by installation-site wiring configuration.

## SHIPPING DATA (Subject to change)

Catalog No.	Product SKU No.	Dimensions (in.)	Weight (lb)	Case Qty.	Case Weight (lb)	Case Dimensions (in.)	Pallet Qty.	Pallet Weight (lb)	Pallet Dimensions (in.)
<b>2' x 2' Dimmable Thin Panel</b>									
TP-22-30-F-35-D	150310-003	23.75 X 23.75 X 2.5	8.5	2	22	26 X 26 X 5	62	1,364	50 X 40 X 72
TP-22-30-F-40-D	150310-001	23.75 X 23.75 X 2.5	8.5	2	22	26 X 26 X 5	62	1,364	50 X 40 X 72
TP-22-30-F-50-D	150310-002	23.75 X 23.75 X 2.5	8.5	2	22	26 X 26 X 5	62	1,364	50 X 40 X 72
TP-22-40-F-35-D	150312-003	23.75 X 23.75 X 2.5	8.5	2	22	26 X 26 X 5	62	1,364	50 X 40 X 72
TP-22-40-F-40-D	150312-001	23.75 X 23.75 X 2.5	8.5	2	22	26 X 26 X 5	62	1,364	50 X 40 X 72
TP-22-40-F-50-D	150312-002	23.75 X 23.75 X 1.5	8.5	2	22	26 X 26 X 5	62	1,364	50 X 40 X 72
<b>2' x 4' Dimmable Thin Panel</b>									
TP-24-50-F-35-D	150320-003	47.5 X 23.75 X 2.38	15.9	2	37	50 X 26 X 5	56	2,072	50 X 48 X 72
TP-24-50-F-40-D	150320-001	47.5 X 23.75 X 2.38	15.9	2	37	50 X 26 X 5	56	2,072	50 X 48 X 72
TP-24-50-F-50-D	150320-002	47.5 X 23.75 X 2.38	15.9	2	37	50 X 26 X 5	56	2,072	50 X 48 X 72
TP-24-75-F-35-D	150321-003	47.5 X 23.75 X 2.38	15.9	2	37	50 X 26 X 5	56	2,072	50 X 48 X 72
TP-24-75-F-40-D	150321-001	47.5 X 23.75 X 2.38	15.9	2	37	50 X 26 X 5	56	2,072	50 X 48 X 72
TP-24-75-F-50-D	150321-002	47.5 X 23.75 X 2.38	15.9	2	37	50 X 26 X 5	56	2,072	50 X 48 X 72