

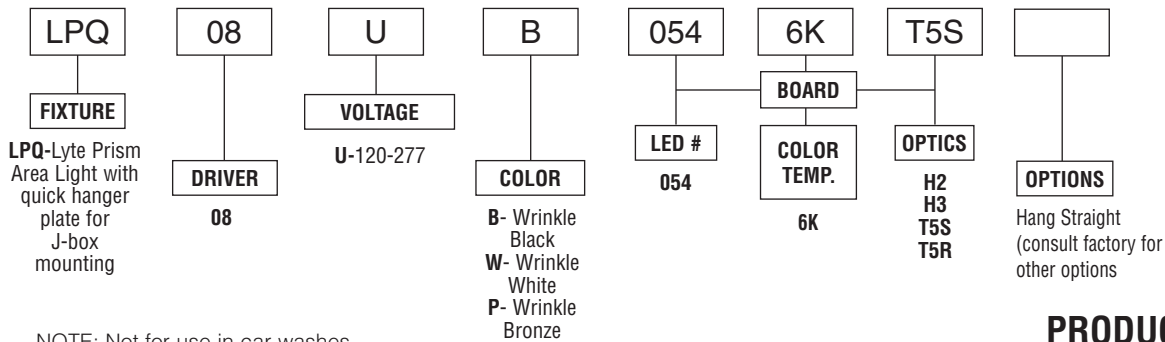
LPQ Lyte Prism Low-Profile Garage Light

Featuring Philips LifeLED™ Technology



ORDERING INFORMATION

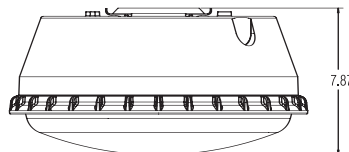
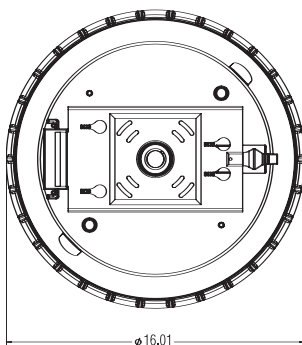
Catalog Number: Example: LPQ08UB0546KT5S



NOTE: Not for use in car washes.

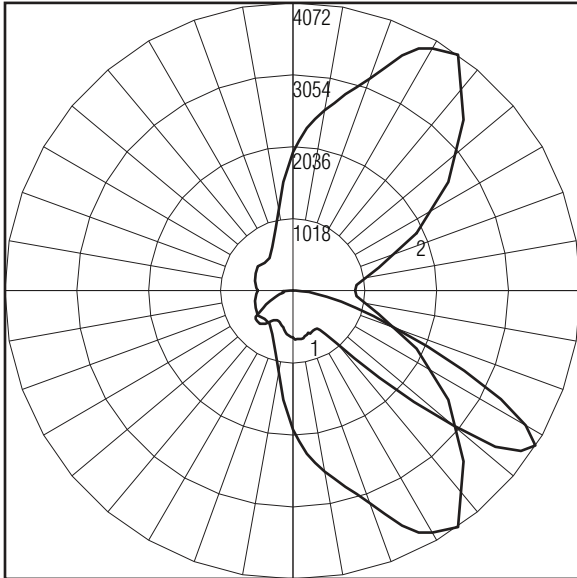
PRODUCT SPECIFICATIONS

- LPQ Prism Area lights are recommended for indoor applications where ceiling mounting heights do not exceed 15 feet. Typical areas include parking garages, maintenance areas, industrial corridors, wash rooms, freezers, storage areas and locker rooms.
- Functions in environments with temperatures that range from -30°C to 40°C.
- Precision die-cast aluminum housing, finished in Duraplex II wrinkle bronze polyester standard, acts as a heat sink for maximum heat dissipation.
- Polycarbonate lens.
- Quick-mount plate permits easy mounting over junction boxes that are pendant, ceiling or recessed mounted.
- Electronic Class II LED driver accepts 120-277v, 50/60hz input (constant current).
- High-output LEDs.
- Individual precision optics collect and redirect light to optimize performance.
- Patented LifeLED™ Optical System individually controls the placement of light in the target area minimizing glare.
- LEDs have an average rated life of 60,000 hours.
- Simple installation, fixture does not have to be opened to be installed. Hang mount, wire and lock into place.



UL Wet Location Listed.
UL File Number: E86021

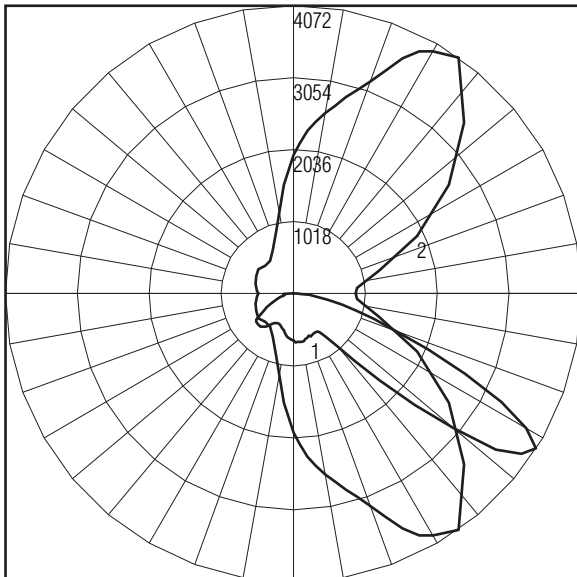
PHOTOMETRICS



ROUND GARAGE LIGHT - 54 LED BOARD - TYPE 2
 WITH TYPE 3 LED FREEFORM LENS OPTICS AND CLEAR PRISMATIC
 POLYCARBONATE DOME LENS
 54 WHITE LEDS. LUMEN OUTPUT = 4930 LMS.

Characteristics

IES Classification	Type II
Longitudinal Classification	Short
Cutoff Classification (deprecated)	Semi-Cutoff
Total Rated Lamp Lumens	4930
Maximum Candela	4072
Maximum Candela Angle	55H 57.5V
Maximum Candela At 90 Degrees Vertical	71 (1.4% Lamp Lms)
Maximum Candela from 80 to <90 Degrees Vertical	760 (15.4% Lamp Lms)
Downward Total Efficiency	99.7%
Total Luminaire Watts	95
Ballast Factor	1.00



ROUND GARAGE LIGHT - 54 LED BOARD - TYPE 3
 WITH INDIVIDUAL LED FREEFORM LENS OPTICS AND CLEAR PRISMATIC
 POLYCARBONATE DOME LENS
 54 WHITE LEDS. LUMEN OUTPUT = 4891 LMS.

Characteristics

IES Classification	Type III
Longitudinal Classification	Short
Cutoff Classification (deprecated)	Cutoff
Total Rated Lamp Lumens	4891
Maximum Candela	1984
Maximum Candela Angle	45H 62.5V
Maximum Candela At 90 Degrees Vertical	37 (0.8% Lamp Lms)
Maximum Candela from 80 to <90 Degrees Vertical	325 (6.6% Lamp Lms)
Downward Total Efficiency	99.4%
Total Luminaire Watts	94
Ballast Factor	1.00