

LED 4W PAR16 Lamps



LED lamps offer energy and maintenance costs savings when compared to conventional light sources. 4W LED PAR16 retrofit lamps are a high quality replacement to 30W incandescent reflector lamps. They are free of UV and IR radiation minimizing discoloration and fading of materials. These lamps are ideal for accent lighting. They are available in red, green, blue, yellow and white (3000K and 6500K CCT) with medium or GU10 bases.

Key Features & Benefits

- 4W LED lamp designed as a high quality replacement for 30W incandescent reflector lamps
- Available in red, yellow, green, blue and white (3000K and 6500K)
- Reduced energy consumption up to 85%
- 20° narrow flood beam
- 25,000 hours life at 70% lumen maintenance
- Available with medium or GU10 base
- 120V AC input voltage, 60 Hz
- Mercury free, lead free
- UV and IR free
- RoHS compliant

Product Offering

Lamp Type	Wattage	Beam Angle	Color
LED4PAR16	3W to 4W	20°	R, G, B, Y, 3000K, 6500K
LED4PAR16/GU10	3W to 4W	20°	R, G, B, Y, 3000K, 6500K

Application Information

Applications

- Accent lighting
- Art galleries
- General lighting
- Hotels
- Museums
- Offices
- Residential
- Restaurants
- Retail stores

Application Notes

1. Operating temperature range between -4°F and 104°F (-20°C and 40°C)
2. UL1993 Listed
3. For use in dry indoor environments and open fixtures only
4. Not suitable for dimming applications
5. Not intended for use with emergency light fixtures or exit lights



Global Care™ represents OSRAM SYLVANIA's commitment to environmental and social responsibility.



Ordering Information

Item Number	Ordering Abbreviation	Nominal Wattage	Nominal Base Type	Average Voltage (VAC)	Initial Rated Life (hrs) ¹	Lumens (lm) ²	Light Color ³	CBCP (cd)	Beam Angle	CRI
78550	LED4PAR16/830/NFL20	4	Med	120	25,000	110	3000K	340	20°	80
78551	LED4PAR16/865/NFL20	4	Med	120	25,000	150	6500K	370	20°	80
78552	LED4PAR16/GU10/865/NFL20	4	GU10	120	25,000	150	6500K	370	20°	80
78553	LED4PAR16/GU10/830/NFL20	4	GU10	120	25,000	110	3000K	340	20°	80
78546	LED3PAR16/R/NFL20	3	Med	120	25,000	75	Red	—	20°	—
78547	LED3PAR16/Y/NFL20	3	Med	120	25,000	50	Yellow	—	20°	—
78548	LED4PAR16/G/NFL20	4	Med	120	25,000	140	Green	—	20°	—
78549	LED4PAR16/B/NFL20	4	Med	120	25,000	40	Blue	—	20°	—
78557	LED3PAR16/GU10/R/NFL20	3	GU10	120	25,000	75	Red	—	20°	—
78556	LED3PAR16/GU10/Y/NFL20	3	GU10	120	25,000	50	Yellow	—	20°	—
78555	LED4PAR16/GU10/G/NFL20	4	GU10	120	25,000	140	Green	—	20°	—
78554	LED4PAR16/GU10/B/NFL20	4	GU10	120	25,000	40	Blue	—	20°	—

1. Life in hours at 70% lumen maintenance 2. Thermally stable typical initial lumens (±10%) 3. Thermally stable typical CCT (±10%)

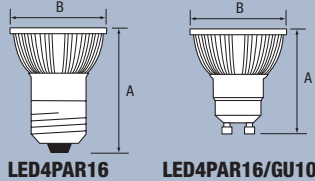
Ordering Guide

LED	4	PAR16	/	GU10	/	830	/	NFL	20
LED Lamps and Retrofits	Wattage: 4W	Bulb Shape: Parabolic Aluminized Reflector, Diameter 16/8" (2")	/	Base Type: Default Medium Screw GU10	/	CRI, CCT R = Red, G = Green B = Blue, Y = Yellow 830: 80+ CRI, 3000K CCT 865: 80+ CRI, 6500K CCT	/	Beam Type: NFL: Narrow Flood	Beam Angle: 20°

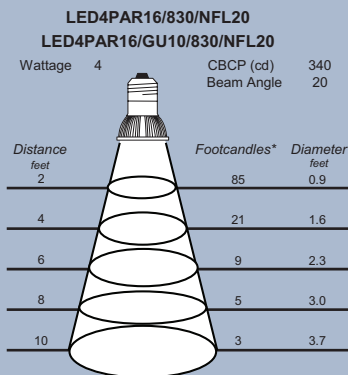
Technical Information

Dimensions

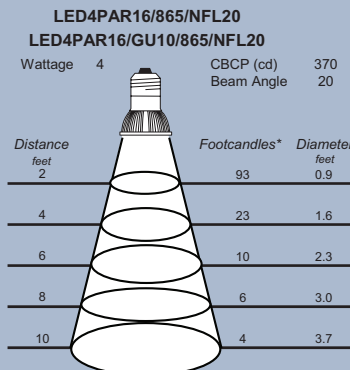
	(A) MOL (inches)	(B) Diameter (inches)
LED4PAR16	2.5	2
LED4PAR16/GU10	2.2	2



Illuminance Cone Diagrams



* Approximate footcandle values at center of beam



* Approximate footcandle values at center of beam

Energy Savings

Item Number	LED Life (hrs.)	Similar Incandescent	Incandescent Life	Watts Saved	Energy Savings*	LED Life vs. Incandescent
LED4PAR16	25,000	30R20	2,000	26	\$65	12.5x

*Energy savings over life of lamp calculated at \$0.10/kWh

SYLVANIA is a registered trademark of OSRAM SYLVANIA Inc.
SEE THE WORLD IN A NEW LIGHT is a registered trademark of OSRAM SYLVANIA Inc.
Specifications subject to change without notice.

Specification Data

Catalog #	
Type	
Project	
Comments	
Prepared by	
Date	

lighting facts^{CM}
A Program of the U.S. DOE

Light Output (Lumens)	110
Watts	4
Lumens per Watt (Efficacy)	28
Color Accuracy Color Rendering Index (CRI)	80
Light Color Correlated Color Temperature (CCT)	3000 (Bright White)

2700K 3000K 4500K 6500K

All results are according to IESNA LM-79-2008: Approved Method for the Electrical and Photometric Testing of Solid-State Lighting. The U.S. Department of Energy (DOE) verifies product test data and results. Products qualified under the DOE ENERGY STAR® program have the ENERGY STAR mark on this label.

Visit www.lightingfacts.com for the Label Reference Guide.

Registration Number: SBZT-7PMAVS
Model Number: LED4PAR16(all variations)
Type: Replacement lamps

United States
OSRAM SYLVANIA
100 Endicott Street
Danvers, MA 01923

Trade
Phone: 1-800-255-5042
Fax: 1-800-255-5043

National Accounts
Phone: 1-800-562-4671
Fax: 1-800-562-4674

OEM/Special Markets
Phone: 1-800-762-7191
Fax: 1-800-762-7192

Display/Optic
Phone: 1-888-677-2627
Fax: 1-800-762-7192

Canada
OSRAM SYLVANIA LTD.
2001 Drew Road
Mississauga, ON L5S 1S4

Trade
Phone: 1-800-263-2852
Fax: 1-800-667-6772

OEM/Special Markets/Display/Optic
Phone: 1-800-265-2852
Fax: 1-800-667-6772

www.sylvania.com