

Squire Series – Thermoplastic Exit Sign with Power Pack

Self Powered Incandescent, Fluorescent and LED models

IMPORTANT SAFEGUARDS

When using electrical equipment, basic safety precautions should always be followed including the following:

READ AND FOLLOW ALL SAFETY INSTRUCTIONS

1. Do not use outdoors.
2. Do not let power supply cords touch hot surfaces.
3. Do not mount near gas or electric heaters.
4. Use caution when handling batteries. Avoid possible shorting.
5. Equipment should be mounted in locations and at heights where it will not readily be subjected to tampering by unauthorized personnel.
6. The use of accessory equipment not recommended by the manufacturer may cause an unsafe condition.
7. Do not use this equipment for other than intended use.
8. All servicing should be performed by qualified service personnel.

SAVE THESE INSTRUCTIONS

Installation Instructions

1. Turn off AC power.
2. Remove battery during installation.
3. Route unswitched AC circuit into electrical box and leave approximately 6" of spare wire.
4. Remove exit face from exit housing by prying off in slots at top or bottom. Remove diffuser and knock out arrows as required: push the arrows from the outside with thumb.
5. Remove the power pack cover. Pry off the cover using a screw driver.
6. Follow the proper mounting instruction (wall, ceiling or end mount) and continue to step 7.

Wall mount

- a. Knock out proper holes in exit back according to the type of electrical box being used (see fig. 2). Route AC wires from power pack down through wiring access hole and into exit housing. Screw fixture to electrical box.

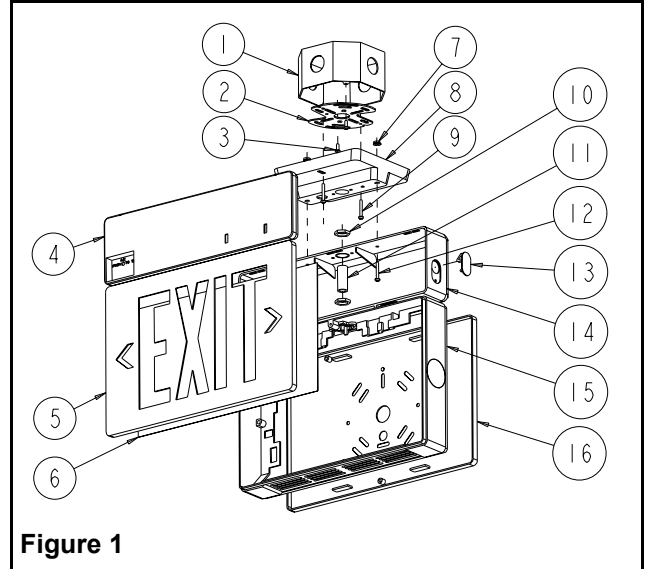


Figure 1

Part List

- | | |
|---|--|
| 1. Junction box (not provided) | 10. Hexagonal nut (2) |
| 2. Spider plate | 11. Threaded nipple |
| 3. Junction box screws (not provided) | 12. Screw #6-32 x 1" OR screw #8-32 x 3/4" (2) |
| 4. Power pack cover (with or without heads) | 13. Oval plug (not on all models) |
| 5. Exit face | 14. Power pack housing |
| 6. Color diffuser | 15. Exit housing |
| 7. Lock Nut (2) | 16. Exit back (or second exit face) |
| 8. Canopy | 17. Self tapping screw 1/2" (not shown) |
| 9. Screw #8-32 x 1" (2) | |

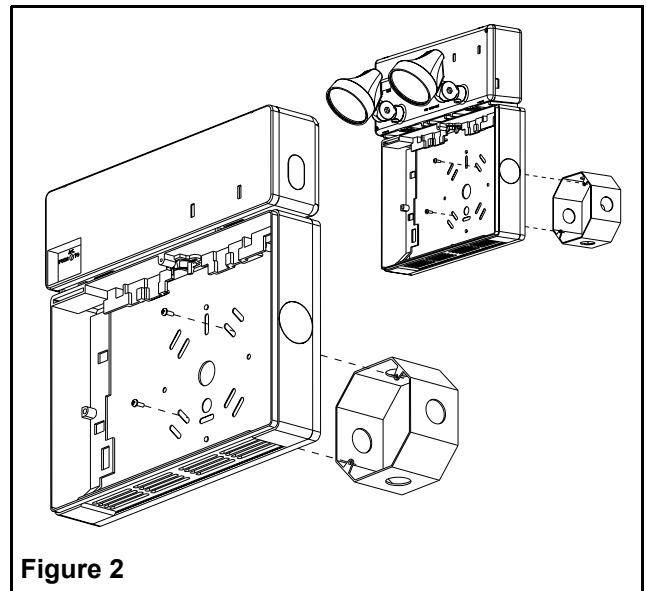


Figure 2

Ceiling mount

- Knock out the canopy mounting hole at the top of the power pack housing.
- Depending on the model, there are two possible power pack housings with this unit, with or without heads (see fig. 3).
Large power pack — Use the two #8-32 x 3/4" screws with lock nuts to mount the canopy (see fig. 3).
Small power pack — Use a threaded nipple and two hexagonal nuts as well as two #6-32 x 1" screws with lock nuts to mount the canopy (see fig. 3).
- Install spider plate to electrical box using the junction box screws.
- Use the hook provided in kit to hold the fixture to electrical box while making proper connections (see fig. 6).
- Route AC wiring from power pack through canopy. Make the electrical connections as described at step 7 (see fig. 6).
- Install the fixture/canopy assembly to spider plate using the two #8-32 x 1" screws in kit.

End mount

Important — Depending on the model, there are two possible power pack housings with this unit. The small power pack has an oval plug on the side (see fig. 4). The large power pack has a knockout on the side (see fig. 5). Follow the proper mounting solution and continue to step 7.

Small power pack

- Remove the oval plug on end of power pack housing.
- Use a threaded nipple and two hexagonal nuts as well as the self tapping screw 1/2" to mount the canopy (see fig. 4).
- Install spider plate to electrical box using the junction box screws.
- Use the hook provided in kit to hold the fixture to electrical box while making proper connections (see fig. 6).
- Route AC wiring from power pack through canopy. Make the electrical connections as described at step 7 (see fig. 6).
- Install the fixture/canopy assembly to spider plate using the two #8-32 x 1" screws in kit.

Large power pack

- Using pliers, break the knockout on the power pack side.
- Use a threaded nipple and two hexagonal nuts in the knockout to mount the canopy (see fig. 5). Tighten the nuts while keeping the canopy in the right position. Use the Ø3/16" hole in the canopy as a template to drill a hole in the housing. Insert the #8-32 screw and lock nut (the nut should be in the canopy) to fix in place.
- Install spider plate to electrical box using the junction box screws.
- Use the hook provided in kit to hold the fixture to electrical box while making proper connections (see fig. 6).
- Route AC wiring from power pack through canopy. Make the electrical connections as described at step 7 (see fig. 6).
- Install the fixture/canopy assembly to spider plate using the two #8-32 x 1" screws in kit.

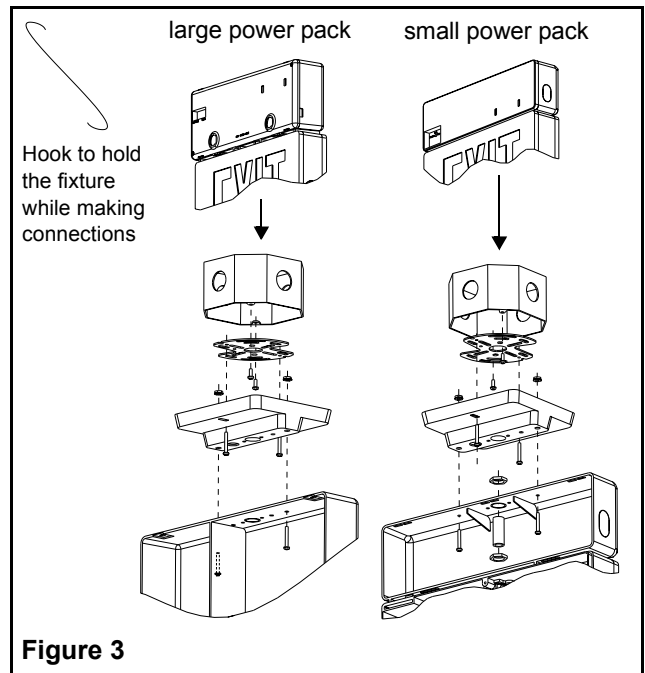


Figure 3

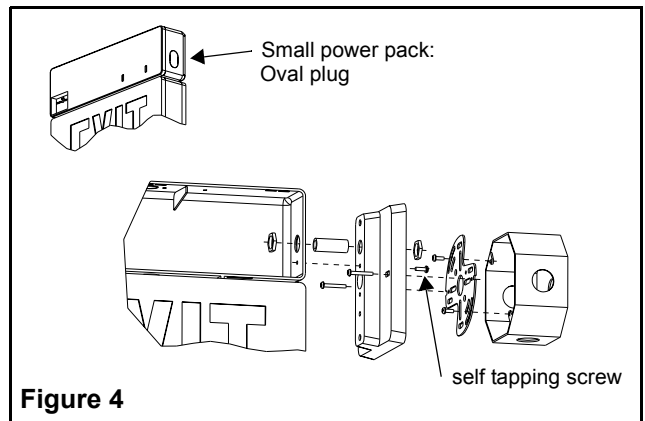


Figure 4

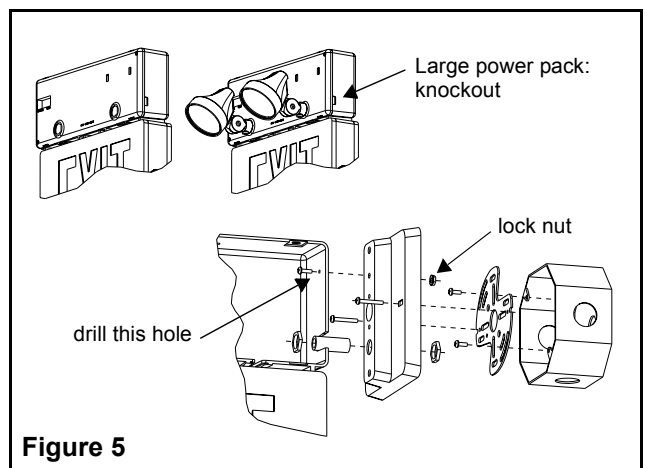
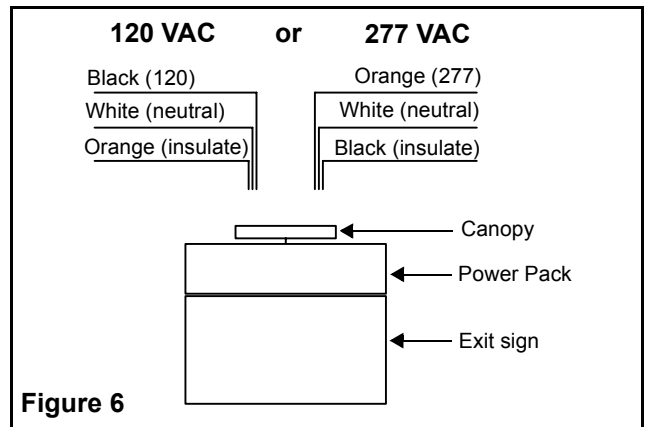


Figure 5

7. Make the appropriate connections (see fig. 6). Our system accepts an input voltage of 120 VAC or 277 VAC.
 - 120 VAC** — Connect the black wire (120 VAC) and white (neutral) to the building utility. Insulate the orange wire.
 - 277 VAC** — Connect the orange (277 VAC) and white (neutral) to the building utility. Insulate the black wire.
 Push connectors and excess wiring back into electrical box.
8. Connect red battery lead to battery positive terminal, and blue lead to negative terminal. Re-install and secure the battery with the tie-wrap supplied then close the power pack cover.
9. For incandescent and fluorescent models, install lamps supplied (if necessary).
10. Re-install exit face.
11. Energize AC. AC lamps or LED panel will illuminate. Red pilot indicator will also illuminate.

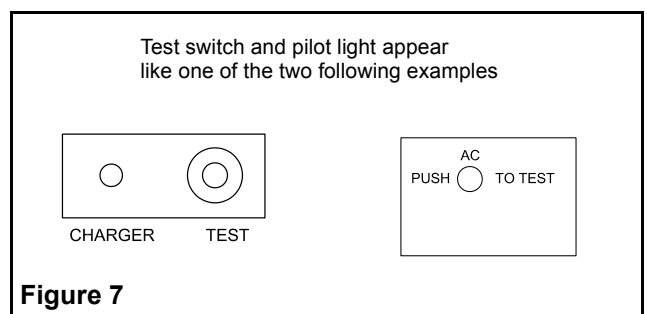


Testing (Fluorescent and Incandescent models)

Depress test switch (see fig. 6). AC lamps will not extinguish but DC lamps will illuminate. Release test switch and unit will return to normal standby operation.

Testing (LED models)

Depress test switch. Legend will brighten and AC pilot lamp will extinguish. On release, pilot lamp will illuminate, legend will dim and automatic charger will restore the battery to full charge.



Testing (LED and PPD models)

Depress test switch (see fig. 7). Legend will brighten, AC pilot lamp and amber “Float Charge” lamps will extinguish. On release, pilot lamp will illuminate, legend will dim. If held depressed for 30 seconds, the red “Pulse Charge” light will illuminate until battery has recharged and then the amber “Float Charge” will illuminate. The automatic charge will restore battery to full charge. If the battery or charger is faulty, then the red “Battery Failure” lamp will illuminate.

Maintenance

None required. Unit should be tested monthly in accordance with the requirements of NFPA 101, Life Safety Code, or local codes.

Note — Nickel Cadmium battery units are shipped discharged and may require 10 minutes of connection to AC supply before start-up test procedure. Allow unit to charge for 24 hours before initial full duration testing.

